

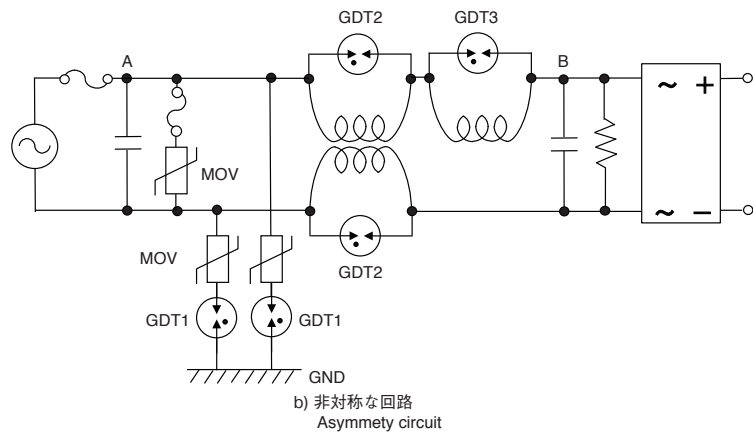
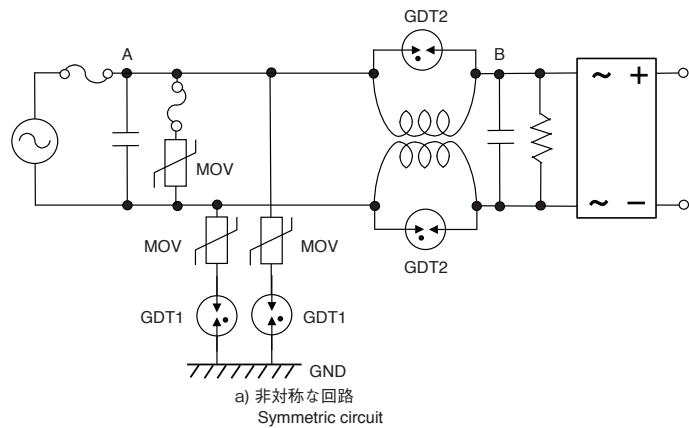
## 2) 共振対策

## Resonance measure

電源にサージが侵入し、図のような電源線とグラウンド間のサージ対策回路(A点)が機能した場合、その残留電圧が後段に伝わります。残留電圧は、ノイズフィルタやコイルのLC共振により、増幅されて後段の回路を破壊する場合があります。対策として、コモンモードコイルの前後及びコイルの両端をサージアブソーバ (GDT2、GDT3) で等電位化する方法が推奨されます。

In case surge absorber located between power line to ground; point A in figure, reacts against the surge, residual voltage is transmitted to the latter part of the circuit. Some part of the circuit is destroyed because of amplified residual voltage by LC resonance of a noise filter and/or a coil. Potential equalization before and behind the common mode coil by a surge absorber; GDT2, is recommended as a measure.

Carrying out potential equalization between the terminals of a common mode coil and the both ends of a coil with a surge absorber (GDT2, GDT3) is recommended.



### ■ 推奨部品 Recommended parts

	AC耐電圧試験条件 AC Withstand Voltage Test	放電管1 GDT1	バリスタ MOV	放電管2 GDT2, GDT3
~AC125V	Test is not required	CDA70-401L DE37-401W	220V~270V (φ10mm)	CDA70-301L CDA70-401L CDA70-501M DE37-401W DE37-501M
	AC1,000V AC1,200V	CDA70-272M CDA70L-272M FA55-272		
~AC250V	Test is not required	CDA70-501M DE37-501M	470V~680V (φ10mm)	
	AC1,500V	CDA70-302M CDA70L-302M FA55-302		
	AC1,800V	CDA70-362M CDA70L-362M FA55-362		
	AC2,000V	FA55-402		